

## EXHAUST FAN UNIT COE

Exhaust fan unit COE is used with central ventilation of smaller rooms in industry, residential and business buildings, premises etc.

COE consists of casing with integrated radial fan. Colours of casing (made of pickled or tinned plate) are according to RAL system and its interior is heat and sound insulated.

Radial fan has attached electric motor with thermal protection. Fan rotor is statically and dynamically balanced. The fan is fitted on shock absorbers preventing transfer of vibrations to the casing. Depending on the electric motor type there is a possibility of continuously variable control or control variable in steps. Casing has attached electrical box.

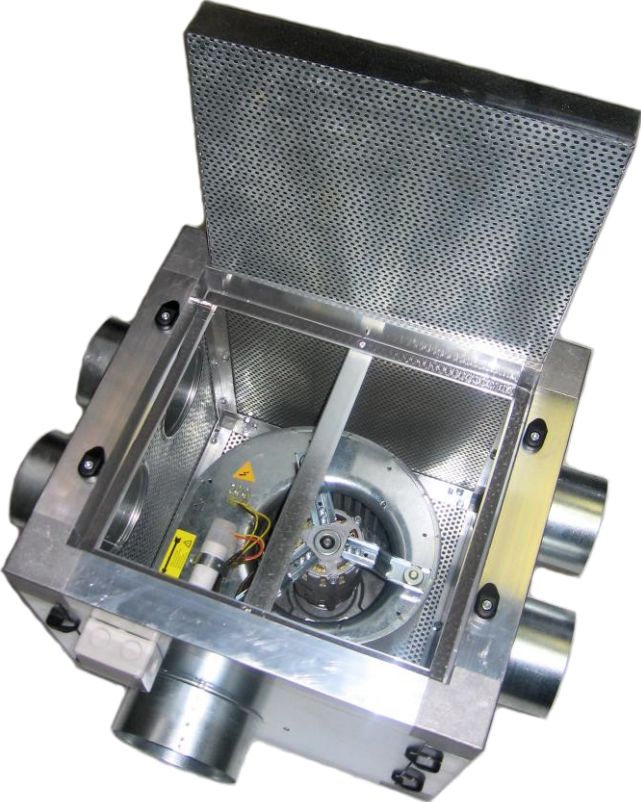
Devices can be mounted on the wall, ceiling, floor or wherever there is space for inlet and outlet of ducts. Ducts can be attached to the connections using clamp or adhesive tape. Air exhaust is possible through roof or through outer wall.

### TECHNICAL DATA

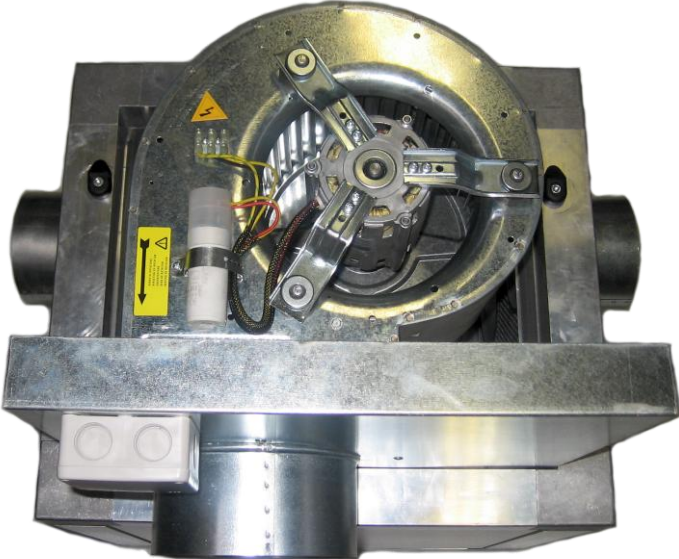
TYPE	Air flow (m3/h)	Power EM 220V (W)	Current EM (A)	Speed EM (min <sup>-1</sup> )	Noise level db(A)
COE – 2	240	72	0,34	1840	35
COE – 4	380	73	0,34	2270	34
COE – 7	690	85	0,4	2320	36
COE – 9	920	110	0,52	2490	38
COE – 12	1160	210	0,96	2530	44



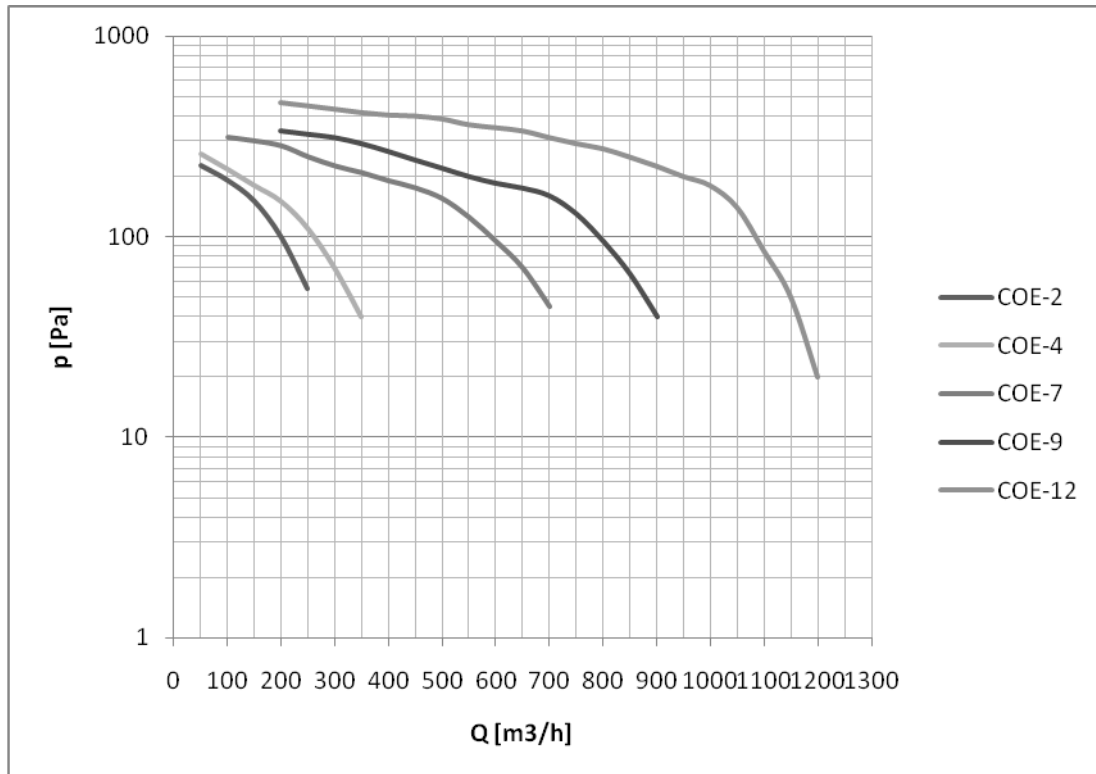
COE



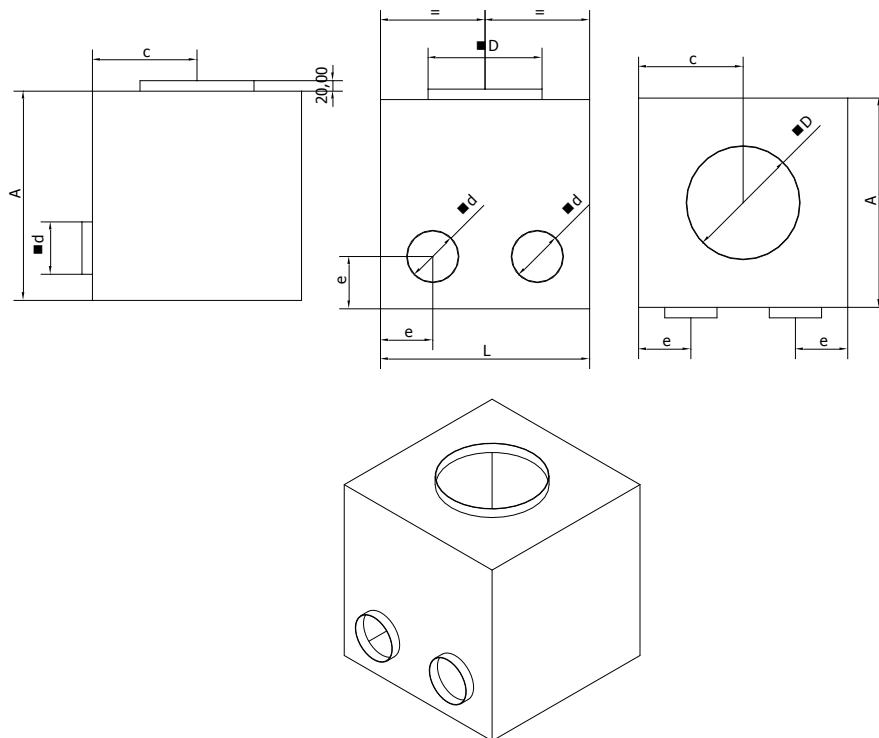
**Front view**



**Back view**



### DIMENSIONS (mm):



TYPE	A	L	$\Phi D$	$\Phi d$	n	c	e
COE-2	300	300	100	100	2	170	100
COE-4	300	300	125	125	2	170	100
COE-7	400	400	160	125	4	218	100
COE-9	400	400	200	125	4	218	100
COE-12	400	400	250	125	6	218	130

n-number of connections